

# EKT5812-001

## 3通道空心轴增量式编码器

3 Channel Hollow-Shaft Incremental Encoder



| 产品特点                 | Features                                       |
|----------------------|--|
| 体积小、重量轻、安装方便         | Miniature size, easy assembling                |
| 2路正交输出信号 (A,B)+零位信号Z | 2 quadrature output channel (A&B)+index signal |
| 外径58mm , 孔径12mm      | Housing size 58mm, hollow shaft dia. 12mm      |
| 分辨率高达5000脉冲          | Resolution up to 5000 cpr                      |

### 型号说明

#### ORDERING INFORMATION

| EKT58   | 12  | 001                              | G                             | 1024   | BZ   | 1  | 5 | L | 备注/Note |
|---|---|----------------------------------|-------------------------------|--|--|--|---|---|---------|
| 孔径<br>Hollow-Shaft Di<br>10: 10mm<br>12: 12mm | 出线方式<br>Connection<br>G: 电缆侧出<br>Radial Cable | 分辨率<br>Resolution<br>10-5000 CPR | 零信号宽度<br>Index Width<br>1: 1T | 工作电压<br>Supply Voltage<br>5-12: 5~12V DC<br>12-24: 12~24V DC<br>5-24: 5~24V DC | 输出方式<br>Output Form<br>E: 电压输出/TTL<br>L/T: 长线驱动/LineDriver<br>F: 推拉输出/Push-Pull<br>C: 集电极开路NPN<br>Open Collector NPN | 1. 下单前请联系销售人员确认型号<br>Please contact sales representative to confirm the correctness and availability of the part number.<br>2. 长线驱动L仅5V可选<br>Line Driver is only available with 5V DC option |   |   |         |

### 技术参数

#### TECHNICAL SPECIFICATIONS

| 参数 PARAMETER                    | 标准数值 TYP VALUE               |
|---------------------------------|------------------------------|
| 电源电压 Supply Voltage             | DC 5V(±5%) / 5~24V (±10%)    |
| 最大响应频率 Max. Response Frequency  | 100 KHZ                      |
| 最大转速 Max. Rotation Speed (*1)   | 6000 RPM                     |
| 最大消耗电流 Max. Current Consumption | 120MA (空载 UNLOADED)          |
| 最大上升-下降时间 Max. Rise-fall Time   | 200NS (长线驱动 LINE DRIVER)     |
| 最大上升-下降时间 Max. Rise-fall Time   | 1US (其他输出 OTHER OUTPUT MODE) |
| 工作温度 Operating Temperature      | -20 ~ 85°C (不结冰 UNFROZEN)    |
| 储存温度 Storage Temperature        | -20 ~ 100°C (不结冰 UNFROZEN)   |
| 防护等级 Ip Rating                  | IP40                         |

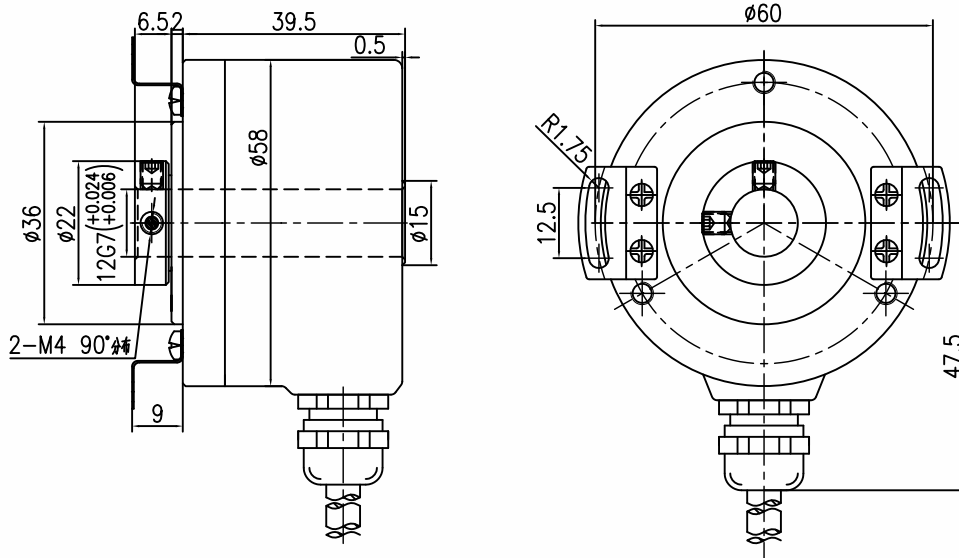
### 接线表

#### CONNECTION TABLE

| 接线颜色 Color of Lead Wire        | 绿 GN | 白 WH | 黄 YE | 红 RD | 黑 BK | 屏蔽线 Shield | 棕 BN | 灰 GY | 橙 OG |
|--------------------------------|------|------|------|------|------|------------|------|------|------|
| 输出信号-长线驱动 Output- Line Driver  | A+   | B+   | Z+   | Vcc  | 0V   | NC         | A-   | B-   | Z-   |
| 输出信号-其他输出 Output- Other Output | A    | B    | Z    | Vcc  | 0V   | NC         | n/a  | n/a  | n/a  |

### 产品尺寸

#### Dimensions



尺寸单位为毫米, 若无特别说明, 尺寸公差为±0.5mm Dimensions in mm. Unless otherwise stated, tolerance: ±0.5mm

